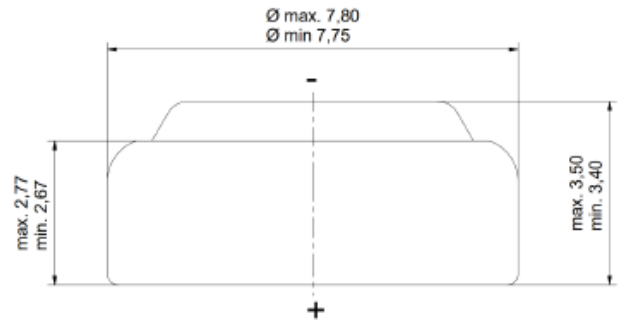


Description : Hearing Aid Battery
Chemical system : Zinc / Air
Nominal voltage : 1.45Volts
IEC Standard Test capacity : 189mAh
IEC Wireless Test capacity : 173mAh
Dimensions : Ø7.8mm x 3.5mm
Average weight : 0.58 grams
Volume : 0.16 ccm
Operation temperature: 0°C - 45°C
Storage temperature : 10°C ~30°C
Short Exposition : -10°C ~65°C
Shelf life : 4 years at room temperature

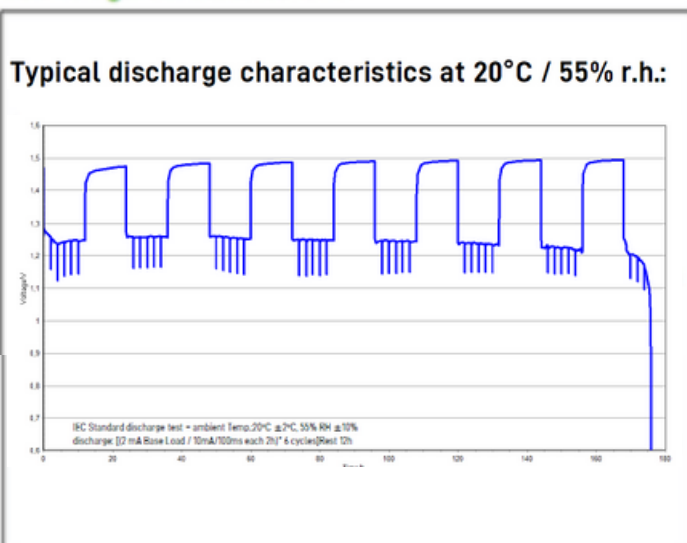
Model no.: **ZA312F**



Cross References:

IEC	JIS	Panasonic	Varta
PR 41	PR312	PR312	P312

Discharge Characteristics



The information (subject to change without prior notice) contained in this document is for reference only and should not be used as a basis for product guarantee or warranty. For applications other than those described here, please consult your nearest GP Sales and Marketing Office or Distributors.